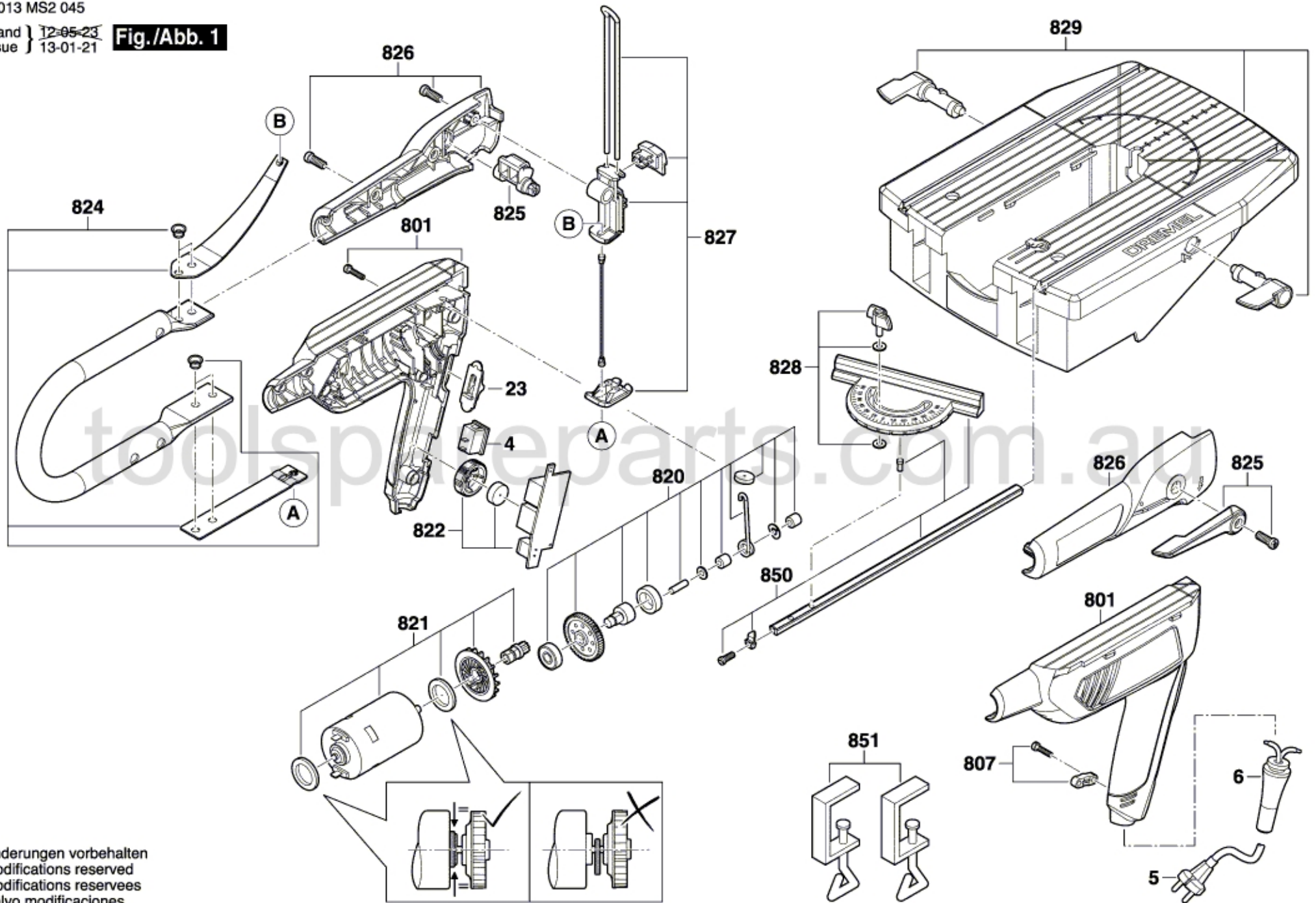


F 013 MS2 045

Stand | 12-05-23
Issue | 13-01-21

Fig./Abb. 1



Änderungen vorbehalten
Modifications reserved
Modifications reserves
Salvo modificaciones